

HFPM

HFPS

# MINXRAY<sup>®</sup>

## PODIATRIC X-RAY SYSTEMS with High Frequency Technology



*HFPM Mobile X-ray System and HFPS Stationary X-ray System*

### **HFPM and HFPS systems feature:**

- Easy to use efficient high frequency x-ray unit that provides 2-3 times shorter exposure times compared to conventional x-ray devices
- 5 memory stations for storing and one touch recall of x-ray exposure techniques
- Patient friendly, accessible designs
- Smallest footprints available
- 3 year limited warranty

MinXray HF units provide the best image resolution and optimum efficiency for use with digital imaging systems!

Best imaging results are achieved with 100-200 speed film or digital imaging systems.

# HFPS Stationary Podiatry System

A unique design with all the right features for a busy practice.



- Compact and versatile – x-ray unit can be mounted on left or right side of orthoposer
- Open design – Simplifies all weight-bearing imaging and accommodates patients in wheelchairs
- Unequaled patient safety and comfort – includes three safety and support rails



Two cassette trays included – for ankle imaging and for 8" x 10" and 10" x 12" split films.

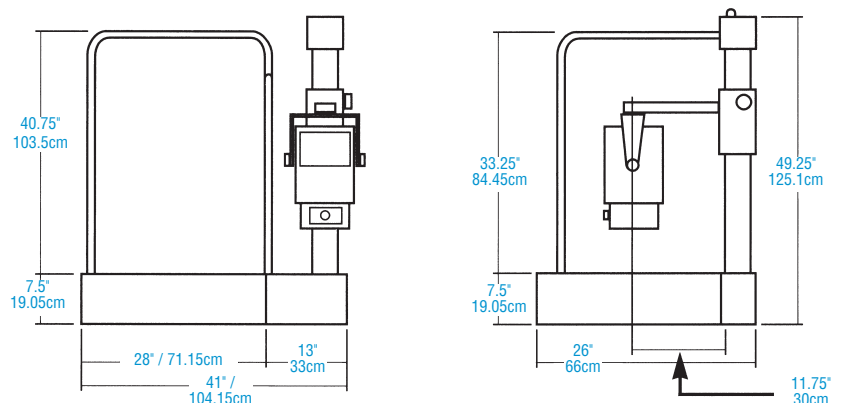


Lateral view of foot and all ankle views are easily completed with patient on orthoposer.



The optional **HFRS** can be wall mounted for remote exposure actuation. A 30' cable is supplied for connection to x-ray unit.

## Dimensions



Net Weight: 185lb / 84kg • Shipping Weight: 220lb / 100kg

# HFPM

## Mobile X-Ray System

Easily moved and operated for unmatched imaging versatility.

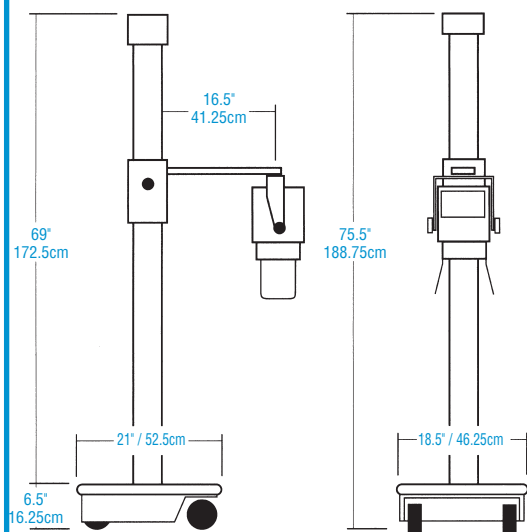


- Wide range of positioning – Smooth travel of x-ray unit facilitates weight-bearing imaging and imaging of patients in wheelchairs or on tables
- Maximum mobility – Moves easily between rooms, passes through standard doors
- Clean design – Compact size and perfect balance with rubber strip around base protecting walls and doors from damage



Lateral views of foot and all ankle views are easily completed with patient on optional orthoposer.

### Dimensions



Net Weight: 170lb / 78kg  
Shipping Weight: 200lb / 91kg

### OP ORTHOPOSER

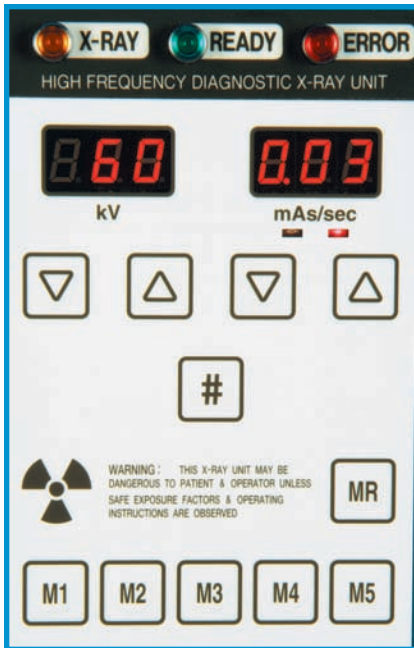


OP  
Height ..... 7 in / 17.8 cm  
Length.....28 in / 71.1 cm  
Width.....14.31 in / 36.4 cm  
Net Weight ..... 15 lb / 6.8 kg  
Shipping Weight....33 lb / 15 kg

- Holds any cassette up to 10" x 12" for lateral projections of foot and ankle
- Built-in lead shield provides for 1/2 film exposure
- Comes with metal holder for 8" x 10" and 10" x 12" cassettes
- Can be used with most x-ray units

# High Frequency Design

MinXray's full-wave rectified high frequency units are the most efficient portable x-ray generators in the world. Conventional units (self rectified, line frequency) are only about one-third as efficient as these technologically advanced units. Therefore, considerably more radiation output per unit of time is available from the MinXray *HF* designs. As an added benefit, the output of these units is independent of line voltage variations.



## State-of-the-art High Frequency X-ray Units Feature:

- Adjustable kV in 2 kV increments
- Automatic line voltage compensation
- Switchable time and mAs display
- 5 memory stations for storing and one touch recall of x-ray exposure techniques
- High resolution timer – 50 total steps
- Small 0.8 mm focal spot for sharper radiographic results

## HFP24 AND HFP40 TUBEHEAD AND COLLIMATOR SPECIFICATIONS:

Output . . . . . 50-70 kVDC, 10 mA  
Timer . . . . . 0.03-2.0 sec, 50 total steps  
Input Requirements . . . . 100-130 VAC, 50/60 Hz, 14 A  
X-ray tube . . . . . SNMIF XDT-S70  
Focal spot size . . . . . 0.8 mm

Total filtration . . . . . 3.2 mm Al equivalent  
Exposure cord . . . . . 8 feet / 2.44 meters  
Exposure switch . . . . . Two stage dead man type with RJ11 connector  
Power cord . . . . . 10 feet / 3.05 meters  
Overload protection . . . . Built-in thermal

**Collimator for HFPS** (stationary x-ray unit): Mikasa X-ray Model R-200H 01 continuously adjustable light-beam type with central x-ray beam indicator and inclinometer.  
Tubehead/Collimator weight . . . . . 20.6 lb (9.3 kg)  
Size . . . 9.06" W x 7.68" H x 14.97" L (23.0 cm x 19.5 cm x 38 cm)

**Collimator for HFPM** (mobile x-ray unit): Advantech Model R72-ET continuously adjustable light-beam type with central x-ray beam indicator and inclinometer.  
Tubehead/Collimator weight . . . . . 29.1 lb (13.3 kg)  
Size . . . 9.06" W x 7.68" H x 14.97" L (23.0 cm x 19.5 cm x 38 cm)

## ORDERING INFO

**HFPM Mobile X-ray System**      **HFPS Stationary X-ray System**  
**OP Orthoposer**                      **HFRS X-ray switch for remote actuation**

For more information about MinXray products, please contact:

**MINXRAY**<sup>®</sup>  
INC.

3611 Commercial Avenue  
Northbrook, Illinois 60062-1822, USA  
1-847-564-0323  
Toll Free 1-800-221-2245  
FAX: 1-847-564-9040  
E-mail: info@minxray.com  
Web: www.minxray.com